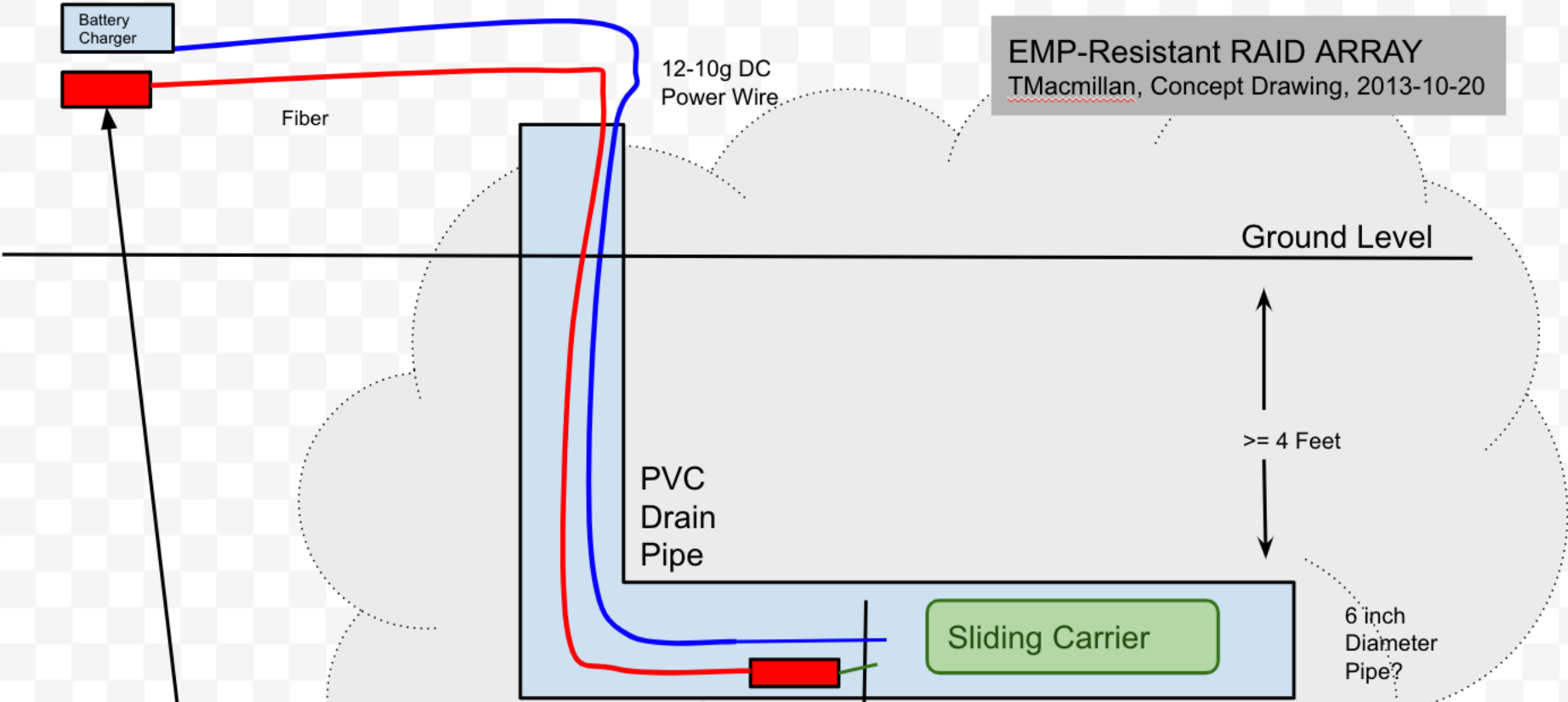
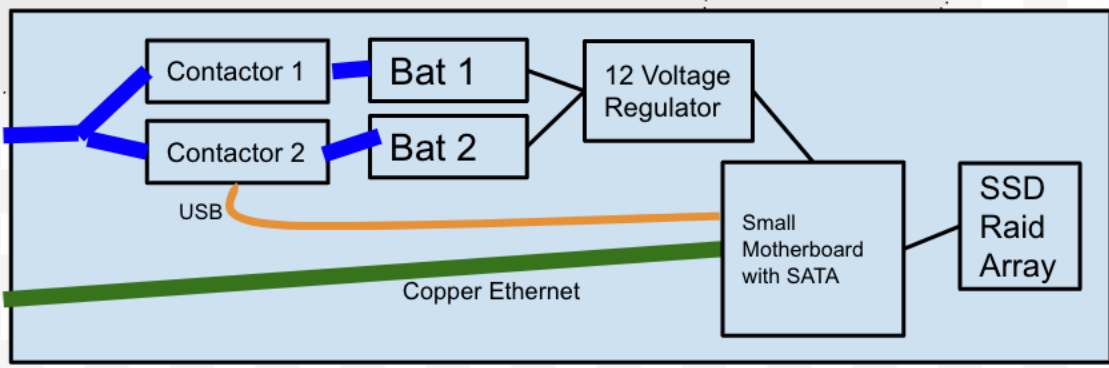


EMP-Resistant RAID ARRAY
 TMacmillan, Concept Drawing, 2013-10-20



EMP Resistance Underground



- Notes:
- 1) One Battery is charged while other battery powers NAS
 - 2) Battery Cutover sequence retains isolation from topside charger
 - 3) Auto/Aviation contactors controlled by relay and arduino

Copper to Fiber Converter Boxes

Fiber

12-10g DC Power Wire

Ground Level

>= 4 Feet

PVC Drain Pipe

Sliding Carrier

6 inch Diameter Pipe?

Contactor 1

Bat 1

12 Voltage Regulator

Contactor 2

Bat 2

USB

Small Motherboard with SATA

SSD Raid Array

Copper Ethernet